

auto electrical parts

Technical Information Sheet

Part No. 0-642-70

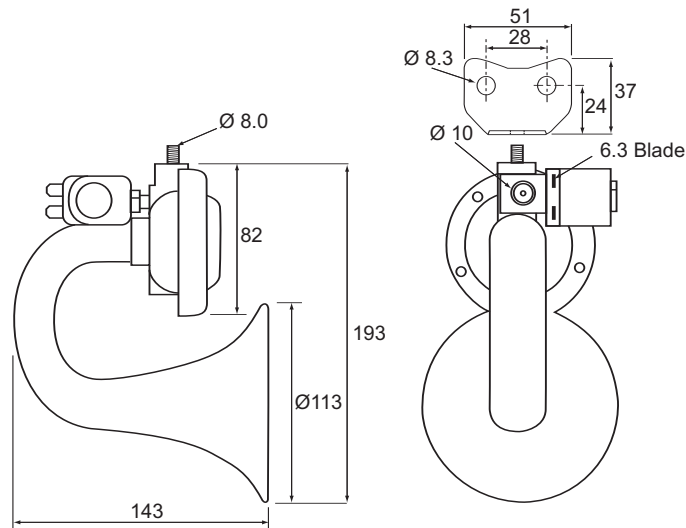
Commercial deep low tone air horn, with moulded black body and trumpet. Supplied with 24 volt electric solenoid valve and fixings. DGM approved.

Additional Information

The air valve has fittings for 6 and 8mm OD air hose. An 'L' shaped bracket with 2 x 8mm diameter fixing holes is also supplied.



Technical Drawing (not to scale)



Specification

Type	Commercial air horn
Voltage	24 volt dc
Sound level	123 dB(A)
Frequency	400 Hz \pm 5%
Pressure	2 - 10bar
Horn material	ABS
Weight	600g
Dimensions	l 200x w 110 x h 140mm
Approvals	DGM

The information contained in this document is correct to the best of our knowledge at the time of printing. However, specifications may change at any time without notice.